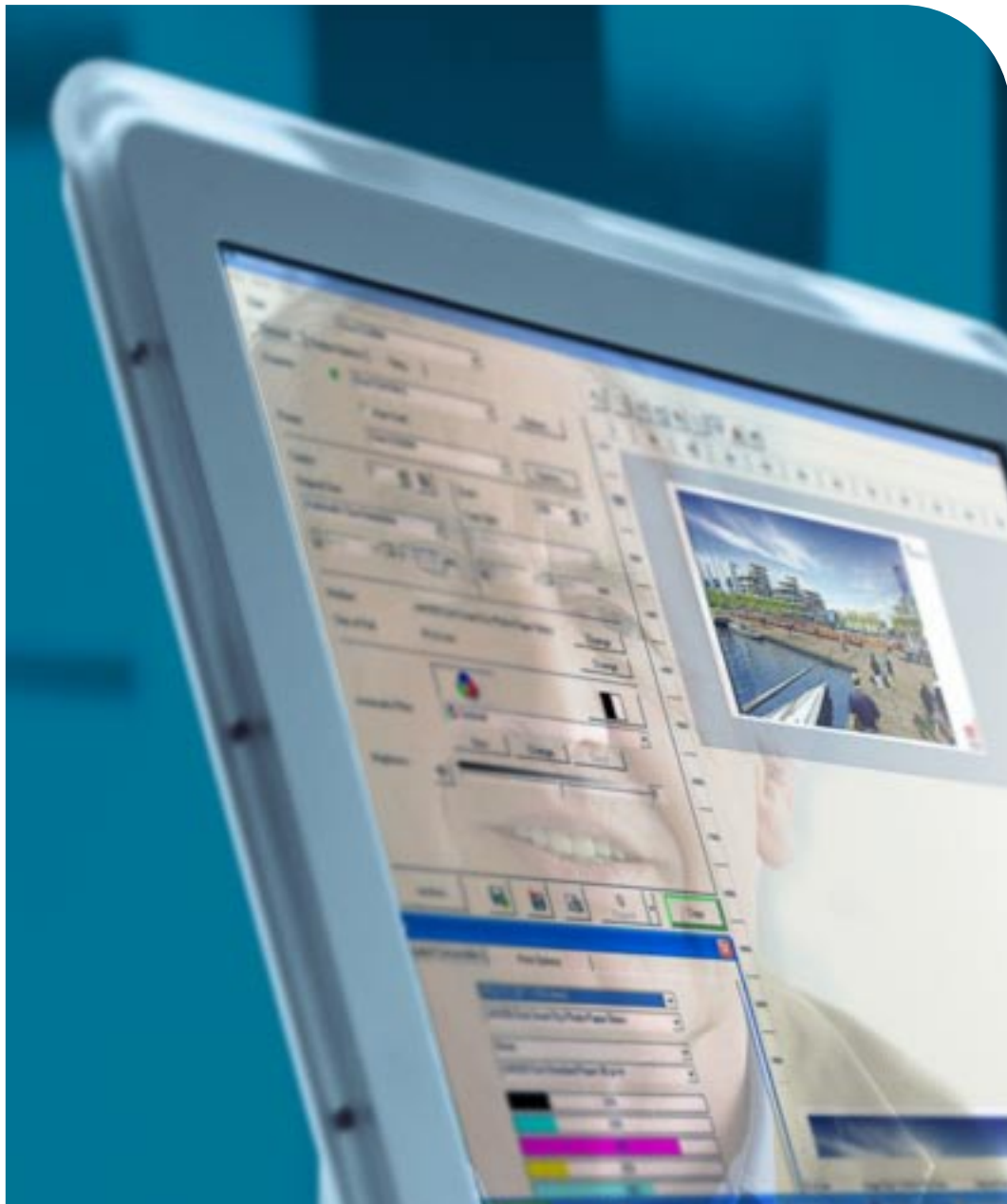




Océ
Color Copy
Software

Keep it simple



Easy-to-use wide
format copying and
scan to file software

- Maximum control of the copying process
- Full-featured scanning and archiving
- Multiple wide format scanner and printer support wide format scanner
- Powerful tools to streamline usage
- Secure investment in a dynamic world

Keep it simple



Océ Color Copy Software

Easy-to-use wide format copying and scan to file software



Keep it simple with Océ Color Copy software. It's the easy way to handle your workflow of hard copy wide format documents. Making clear copies with maximum retention of information. Scanning your documents to secure digital files anywhere on your network.

Or distributing documents by scanning directly to email. That's what we mean by simple!



Maximum control of the copying process

With Océ Color Copy you have maximum control of the copying and scanning process. As well as setting the number of copies and scaling, it includes more advanced functions like nesting, tiling and set copying. You can even fine-tune colors to your specific needs, and create customized image manipulation modules. And of course you can always make automated 'green button' copies for results that are right every time.

Full-featured scanning and archiving

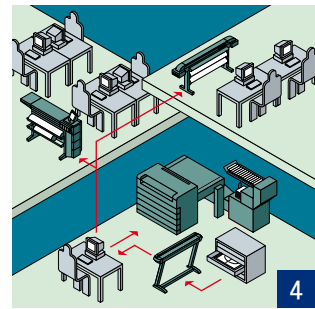
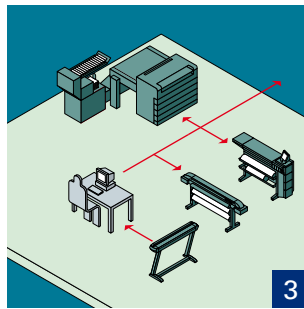
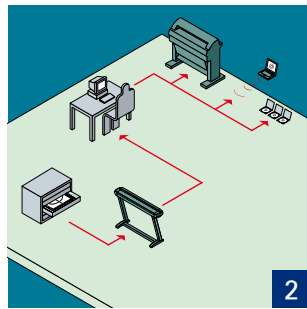
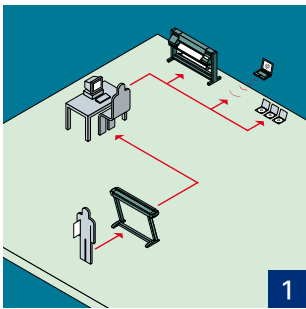
Océ Color Copy also includes a productive, flexible scan-to-file solution. Allowing you to scan color and black-and-white documents to secure digital files. At the same time you can clean up, edit, rename and store your originals. Océ Color Copy supports a wide range of file formats. You can even convert file formats of already scanned documents to create a uniform archive.

Multiple wide format scanner and printer support wide format scanner

Océ Color Copy supports all Océ CS series scanners, as well as virtually all Océ printers and other standard wide format printers. You can connect any number of printers, all using the same scanner, to create the optimal workflow solution. Which saves you both investments in additional scanners and floor space. And allows you to create the optimal solution today, with full flexibility for future upgrading.

CRD

'We need a single solution for copying and scanning wide format hard-copy documents that gives me excellent output quality without the need for extended training'



Powerful tools to streamline usage

To streamline your workflow, Océ Color Copy allows you to create templates for regular copying and scanning tasks. You can control system access by assigning different rights, as well as specific copy and scan templates, to individual users. A full-featured accounting module is included to track usage of the system and ensure that costs are allocated to the appropriate users and projects.

Secure investment in a dynamic world

Océ Color Copy is not just a state-of-the-art solution for all your copy and scan needs today. The modular concept allows you to upgrade the solution to meet the changing document capture and distribution requirements of your future organisation, without the need to move to a full new solution. This protects your investment and maximises effectiveness by saving valuable start-up and learning time.

1 The graphics copy solution

- Printer drivers for all major graphics printers
- Ability to fine-tune copy colors
- Maximum freedom: tiling, cropping and nesting

2 The engineering solution

- Predefined copy modes for engineering drawings
- Support for all common file formats
- Set copying, even using multiple printers

3 The reproduction centre

- Connectivity to any number of printers
- Specific drivers for optimal use of printer capabilities
- User templates allow easy switching between printers

4 The decentral printer solution

- Central scanning to the required destination: local copy, remote print or digital distribution by email
- Fully supports capabilities of remote printers (e.g. roll selection, print quality and finishing options)

Handle your hard-copy workflow easily

*Wide format copying and scan
to file software*



General

Additional user control features
Advanced copy settings
Batch/Set scanning and copying
Editor
Supports multiple printers

Operating systems

Windows 2000, XP, Vista 32 bit

Preferred platform requirements

Intel Pentium IV 2.66 GHz
60 GB hard disk
1 GB memory
100BaseT network card
48x CD-recorder
19" screen

Protection

USB dongle with software key-code
Demo version without dongle or key-code

Capture capabilities

General

Automatic scanner detection
Automatic and manual size detection
Support of Océ scanner buttons
Continuous/Batch scanning
Configurable media rewind
Support thick original scanning
Configurable pre-scan
Automatic/ manual scan resolution selection

Supported Scanners

Océ CS4300 scanner series
Océ CS4236 scanner
Océ CS4100 scanner series
Océ CS4000 scanner series

Supported scanner interfaces

USB
FireWire (IEEE1394)
SCSI

Image handling

General

Automatic preview
Preview image on roll
Crop/ Area of interest
Zoom: 1%-9999% (OCC-Lite 1%-1000%) in 1% step
Scale to fit
Automatic de-skewing on-the-fly
De-speckling
Simple Nesting
Plot label
Step and repeat (using full paper width)
Tiling/panelling
Rotating
Mirroring
Plotting trim lines
Closed loop calibration
Area adaptive sharpening and smoothing
Automatic/ Manual Black/White point setting
Brightness and Gamma slider
RGB and CMY channel adjust

Editor

1:1 viewing
Text insertion
De-speckle
Print directly from editor
Save-as function
File format conversion
Crop
Mirror
Rotate

Copy output

General

Copy count: 1-9999

Multiple printer support

Batch copying

Set copying

Pre-configured copy modes

User definable and changeable filters

Save all scan/copy settings

All media supported thanks to included media profiles and to closed loop calibration

Destinations

Printer

File

Email

Subsystem (queue)

Editor

Reprint archive

Subsystem

Queue manager (prioritise/kill jobs, unfinished jobs)

Concurrent scanning and printing

Multiple printer queues for parallel printing

Error handling

Installable on different pc

Supported printers

Océ 5150 Océ 5200 Océ 5250 Océ 5350 Océ 5350 (6oin)

Océ 5350-600 Océ 5350-600 (6oin) Océ CS2024 Océ

CS2044 Océ CS2124 Océ CS2136 Océ CS2224 Océ

CS2236 Océ CS2344 Océ CS5050 Océ CS5050 (6oin) Océ

CS5070 Océ CS5070 (6oin) Océ CS5090 Océ CS5090

(6oin) Océ CS6060 Océ CS6100 Océ TCS300 Océ TCS400

Océ TCS500 Océ ColorWave 600 Océ TDS300/320 Océ

TDS400/450 Océ TDS600 Océ TDS700 Océ TDS800

HP DesignJet 1050c HP DesignJet 1050c plus (multiroll)

HP DesignJet 1055cm HP DesignJet 1055cm plus (multiroll)

HP DesignJet 2000cp HP DesignJet 2500cp HP DesignJet

3000cp HP DesignJet 3500cp HP DesignJet 4000

HP DesignJet 4500 HP DesignJet 500 24" (HPGL/2 card)

HP DesignJet 500 42" (HPGL/2 card) HP DesignJet 5000

42" HP DesignJet 5000 60" HP DesignJet 5500 42"

HP DesignJet 5500 60" HP DesignJet 650C HP DesignJet

750C HP DesignJet 800 24" HP DesignJet 800 42"

HP DesignJet 9000s HP DesignJet T1100 24" HP DesignJet

T1100 44" HP DesignJet T610 24" HP DesignJet T610 44"

HP DesignJet Z2100 24" HP DesignJet Z2100 44"

HP DesignJet Z3100 24" HP DesignJet Z3100 44"

HP DesignJet Z6100 42" HP DesignJet Z6100 60"

Epson Stylus PRO 10000/10600 DYE / PM-10000

Epson Stylus PRO 10600UC / PX-10000 Epson Stylus PRO

4000 / PX-6000 Epson Stylus PRO 4400 / PM-6200S

Epson Stylus PRO 4800 / PM-6500 Epson Stylus PRO 7000 /

PM-7000 Epson Stylus PRO 7400 / PM-7500S Epson Stylus

PRO 7500 / MC-7000 Epson Stylus PRO 7600 / PX-7000

Epson Stylus PRO 7800 / PM-7500 Epson Stylus PRO 9000 /

PM-9000 Epson Stylus PRO 9400 / PM-9500S Epson Stylus

PRO 9500 / MC-9000 Epson Stylus PRO 9600 / PX-9000

Epson Stylus PRO 9800 / PM-9500

Canon BJ-W3000 Canon BJ-W3050 Canon BJ-W7000

Canon BJ-W9000 Canon imagePROGRAF W6400 Dye

Canon imagePROGRAF W6400 Pg Canon imagePROGRAF

W8400 Dye Canon imagePROGRAF W8400 Pg

Canon iPF 500 Canon iPF 5000 Canon iPF 510 Canon iPF

5100 Canon iPF 600 Canon iPF 610 Canon iPF 6100 Canon

iPF 700 Canon iPF 710 Canon iPF 8000 Canon iPF 9000

Canon W6200 Pg Canon W7200 Canon W7250 Canon

W8200 Dye Canon W8200 Pg

Scan to file

File formats

TIFF, BMP, PDF, JPEG, JPEG200, EPS, 6RN, GIF, IFF,

PCX, PNG, PPM, RLC, RLE, RST, TGA, PDF/a

File type

24 bit RGB files

8 bit gray files

8 bit indexed color files

1 bit monochrome files

Other

ICC Profiles support

User control

General

Printer back channeling

Create multiple users, password protected

Assign user rights

Assign scan/copy settings to user

Time out

On line help

Accounting

Log File or Excel format

User name

Scan/copy settings

Additional information

Beyond the Ordinary

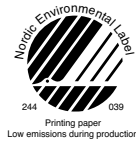


Building a sustainable business has always been one of our core business principles. We do this by developing products and services that add value to the document processes of our customers, while minimizing environmental impact. And we conduct our business activities in a socially responsible manner aimed at preventing health, safety and environmental risks.

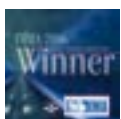


Mixed Sources

Product group from well-managed forests and other controlled sources
www.fsc.org Cert no. SCS-COC-00856
© 1996 Forest Stewardship Council



Océ Wide Format Printing Systems Partners and Awards



Océ helps the people who make our world. Companies everywhere use Océ technical documentation systems in manufacturing, architecture, engineering and construction. Each week, high speed Océ printing systems produce millions of transaction documents such as bank statements and utility bills. And in offices around the world, people use Océ professional document systems to keep the wheels of business and government turning. Océ is also at work in publishing on demand, newspaper production, document management outsourcing and wide format color for spectacular display graphics. It all helps our professional customers go 'Beyond the Ordinary' in printing and document management.



Printing for Professionals

© 2008 Océ. Illustrations and specifications do not necessarily apply to products and services offered in each local market. Technical specifications are subject to change without prior notice. All other trademarks are the property of their respective owners.

For information and services, visit us at:

www.oce.com